

Hepplewhite[®]
Fitted Bedrooms & Home Offices



***Fitted Furniture
Aftercare Guide***

Contents

1. Hinged Doors

1.1 - Adjusting door hinges

1.2 - 170 Degree hinges

2. Drawers

Section 2.1 - Drawer front adjustment

Section 2.2 - Drawer removal and re-fitting

3. Sliding Doors

Section 3.1 - Adjusting Sliding Doors

Section 3.2 - Freeing a jammed sliding door

Section 3.3 - Adjusting a Sliding Door Soft Close Mechanism

Section 3.4 - Adjusting a Sliding Door bottom track stop

4. Caring For Your Furniture

Section 4.1 - Cleaning

Section 4.2 - Warranty

Section 4.3 - Purchasing additional items

Tools you may need

Occasionally, following use, the doors and drawer fronts on your fitted furniture may require a small adjustments to make sure they work just as they did when the furniture was first installed.

Don't Worry

These adjustments are easy to carry out and this booklet will take you through every step. The adjustments do not require lots of tools however a some may be needed as explained below.



**Cross head (Pozidrive)
Screwdriver**



**Small Adjustable
Spanner**



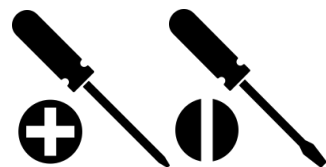
**Flat head (Slotted)
Screwdriver**



3mm Allen Key

Unsure ? Don't worry, You can always speak with your retailer

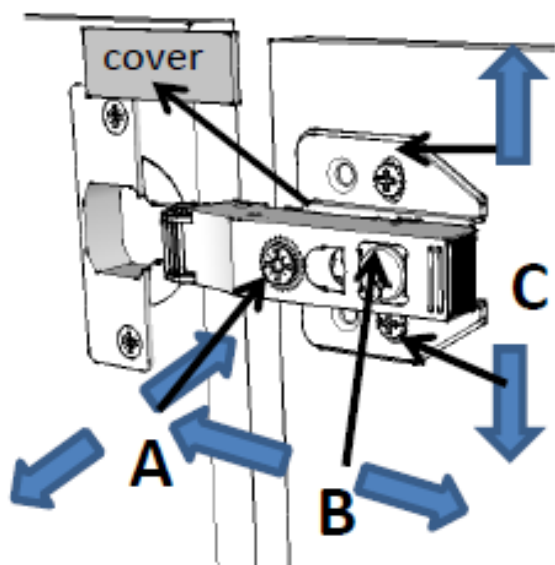
This small guide has been produced so that simple adjustments can be made as and when they are required and at your convenience. We do understand that not everyone feels confident in taking the actions described within this book. If you feel that your furniture is not performing as it should or are unsure about the instructions in this guide please contact your retailer for assistance.



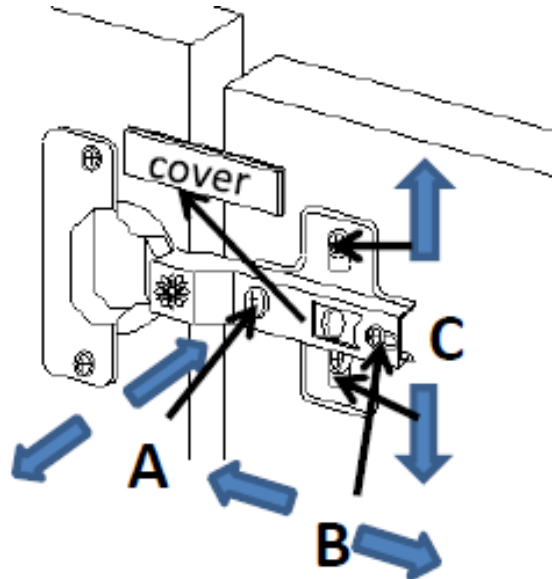
1.1 Hinged Doors

Your wardrobe doors will have been aligned by the fitter during installation. However it may become necessary, as the doors are used, to adjust and realign them. The diagrams below show you how the adjusting screws work and which ones to use. To make adjustments you will need a cross head (Pozidrive) screwdriver. **Your furniture will be fitted with one of two types of hinge**

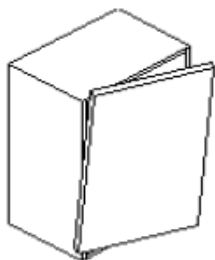
Newer type



Older type

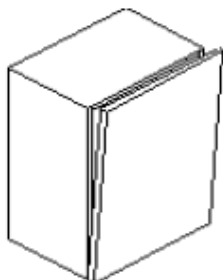


In all cases start by easing off the hinge cover plates using a small flat blade screwdriver to gain access to the adjuster screws.



If the door fit is not even.

Screw "B" on older type hinges secures the hinge to the base plate. This screw should only be loosened enough to move the hinge forward and backwards and should not be fully unscrewed. When adjustment is complete re-tighten. Loosen or tighten screw "A" for sideways adjustment until an even door fit is obtained.

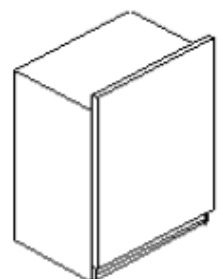


If the door binds or catches on the front edge of the side panel.

Old type hinges. Loosen adjustment screw "B" first. Slide the hinge in or out until an even fit is obtained. Re-tighten screw "B" once complete.

Current hinges. Turning screw "B" will adjust the hinge in or out. Do this until an even fit is obtained.

You may only need to adjust one hinge.



If the door is too high or too low

Loosen both "C" adjustment screws on each hinge plate. **DO NOT FULLY UNSCREW.**

The door will drop down when the screws are loosened. Lift the door by gently lifting upwards. Hold in position and re-tighten screws "C". Check that the door is correctly aligned and re-clip any hinge covers.



1.2 Hinged doors with 170 degree hinges

Your furniture maybe fitted with 170 degree hinges that allow wardrobe doors to open further. They are often seen on doors that are angled for sloping ceilings or where doors have an interior mirror fitted to them.

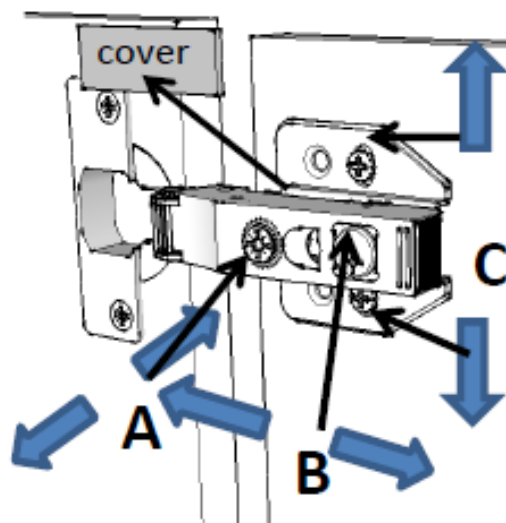
Although the 170 degree hinge is bigger, the adjustments are exactly the same as a standard hinge.



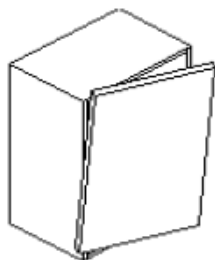
Open/Close the door so that you can access the adjustment screw **(A)** through the slot in the hinge. A crosshead screwdriver will be needed for this.



Open/Close the door further so that you can access the adjustment screw **(B)** behind the moving part of the hinge.

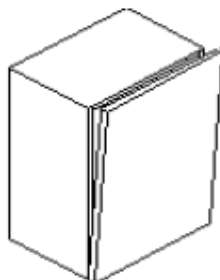


170 degree hinges do not have cover plates.



If the door fit is not even.

Screw "B" on older type hinges secures the hinge to the base plate. This screw should only be loosened enough to move the hinge forward and backwards and should not be fully unscrewed. When adjustment is complete re-tighten. Loosen or tighten screw "A" for sideways adjustment until an even door fit is obtained.

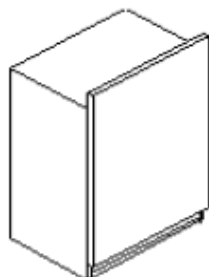


If the door binds or catches on the front edge of the side panel.

Old type hinges. Loosen adjustment screw "B" first. Slide the hinge in or out until an even fit is obtained. Re-tighten screw "B" once complete.

Current hinges. Turning screw "B" will adjust the hinge in or out. Do this until an even fit is obtained.

You may only need to adjust one hinge.



If the door is too high or too low

Loosen both "C" adjustment screws on each hinge plate. **DO NOT FULLY UNSCREW.**

The door will drop down when the screws are loosened. Lift the door by gently lifting upwards. Hold in position and re-tighten screws "C". Check that the door is correctly aligned and re-clip any hinge covers.



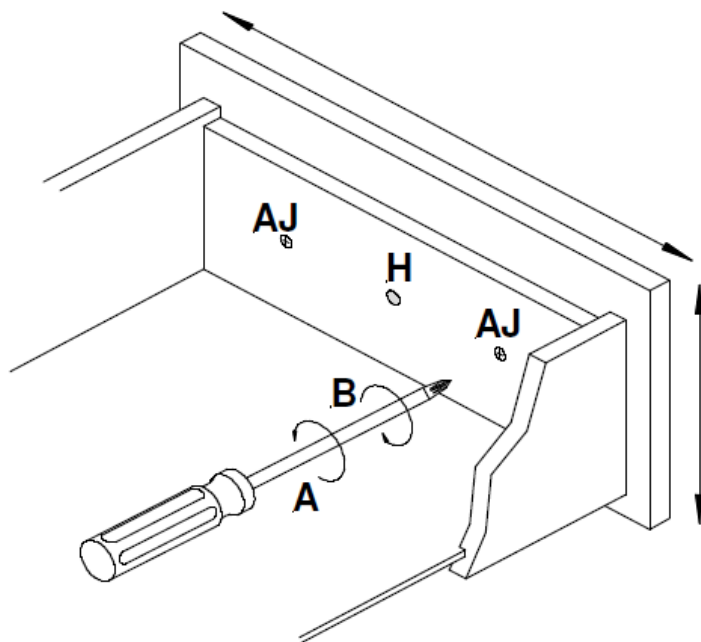
2.1 Drawer Front Adjustment

To make adjustments the alignment of a drawer front you will need a crosshead screwdriver.

Screws **(AJ)** secure the drawer front to the drawer box. These screws should only be loosened, they should not be fully unscrewed.

If handle screw **(H)** is visible then this should also be loosened.

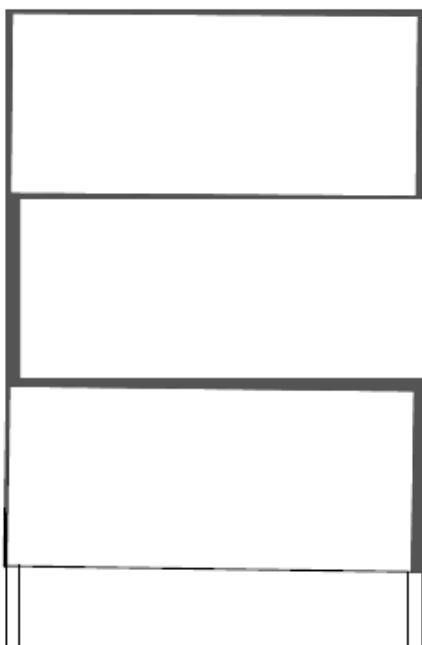
- (A)** Turn to tighten
- (B)** Turn to loosen



Directions

1. Open the drawer fully and locate screws **(AJ)**. Loosen both screws in the direction **(A)** Close the drawer and adjust the front to an even fit.
2. **If the drawer front will not stay in desired position it is possible that screws **(AJ)** have been over loosened and they should be tightened a little before proceeding.**
3. Once the drawer front is in the correct position, re-open the drawer and tighten screws **(AJ)** in direction **(B)**
4. Repeat the procedure if needed until the drawer front is adjusted and aligned correctly.

Uneven Fit ✘



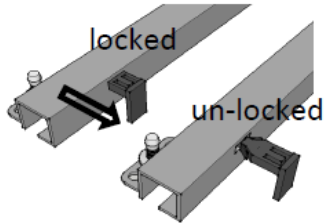
Even Fit ✔



2.2 Drawer Removal & Re-Fit

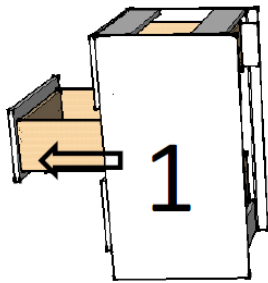
During the lifetime of your furniture it may be necessary to fully remove the entire drawer or drawers from the units. The guide below illustrates how to safely remove and refit the drawer box assembly.

Removal



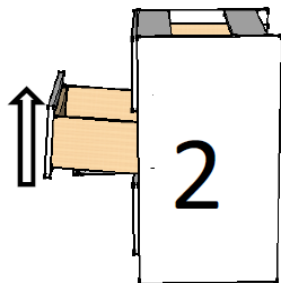
***Note. There are 2 types of runner. Soft Closing and Non Soft Closing.**

Soft closing drawer runners use a locking pin which will require Releasing. The pin is on the underside of the drawer box at the front of each runner and can be release easily with your fingers.



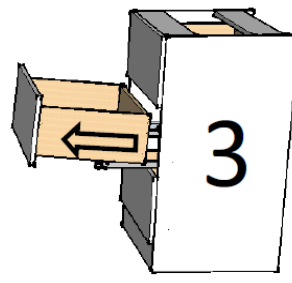
1

Open drawer



2

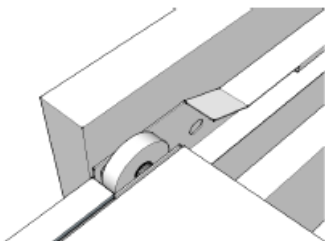
Lift at the front



3

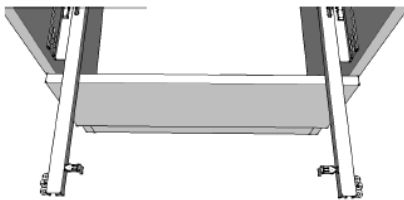
Continue to pull forward

Re-Fit



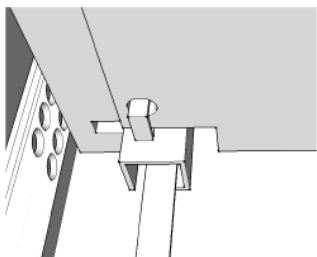
NON SOFT CLOSE

These runners are identified by a Nylon wheel on the back of the drawer mounted runner and front of the chest mounted runner. Rest both wheels on top of each other and with the front slightly lifted push the box back into the unit until closed.

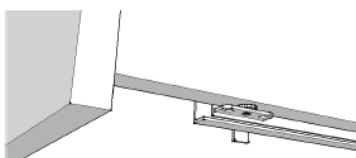


SOFT CLOSE

Pull the runners fully forward
Lower the cut outs in the drawer back, onto the runner and slide back onto the locating lug. Keep the front of the drawer lifted slightly.



When each lug (one on each runner) is located into drawer box lower the front down until it locates onto the runner pins. Close the locking pin each side (Reversal of the above *)



Adjust the drawer front as required.



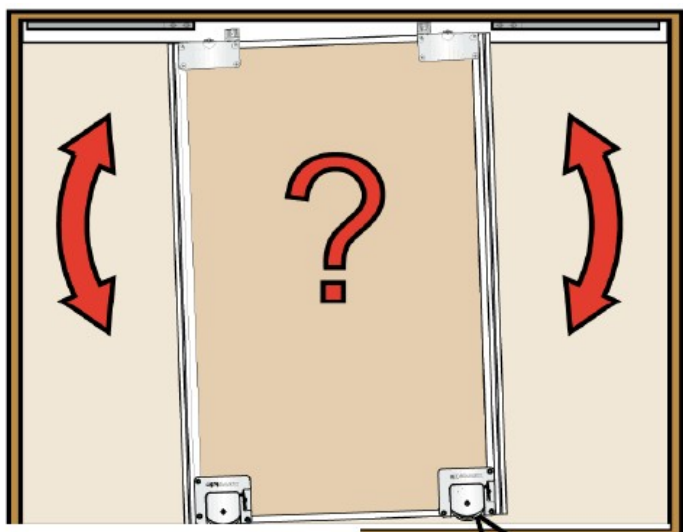
3.1 Adjusting Sliding Doors

Sometimes, after installation, sliding doors need a small adjustment to make sure they continue to run smoothly and operate correctly. The adjustment is easily made and takes no time at all. Sliding robes doors are sensitive to small structural movements such as settlement, and in some cases require small adjustment to ensure continued smooth operation.

Each individual sliding door has **two** wheels mounted on the **back** of the door (inside the wardrobe) at the **bottom**.

Each one of these wheels can be adjusted, if necessary, to slightly re align the door and allow it to run smoothly or close properly and evenly against the robe frame.

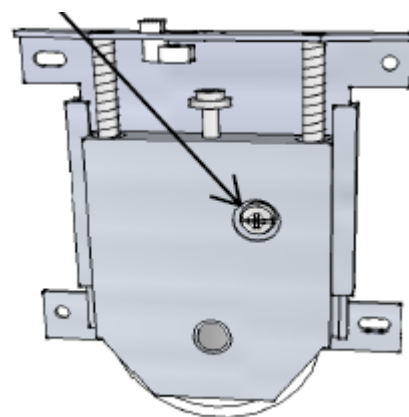
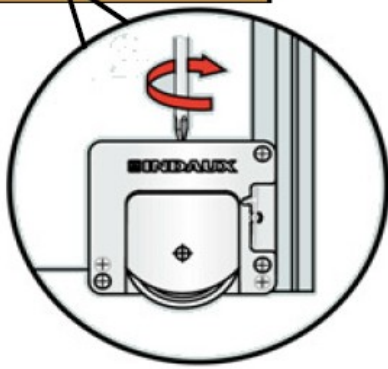
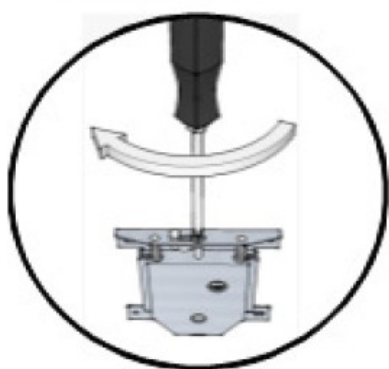
There are two types of wheel used, both adjust in the same way.



Turning the adjustment screw clockwise will lift the door.

Turning the adjustment screw anti clockwise will lower the door.

Note. This type of wheel has a locking screw that will need to be released before adjusting the door up or down. Re-tighten after the adjustments are made



Keep your doors running smoothly...

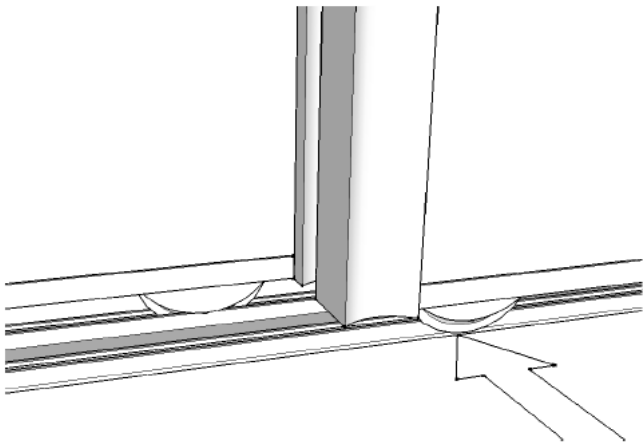
In order to ensure that sliding doors continue to run smoothly please ensure that the lower running track is kept clean and free of any obstructions.

Please be aware that anything lodged within the track may result in the wheels becoming jammed, dislodged or damaged.

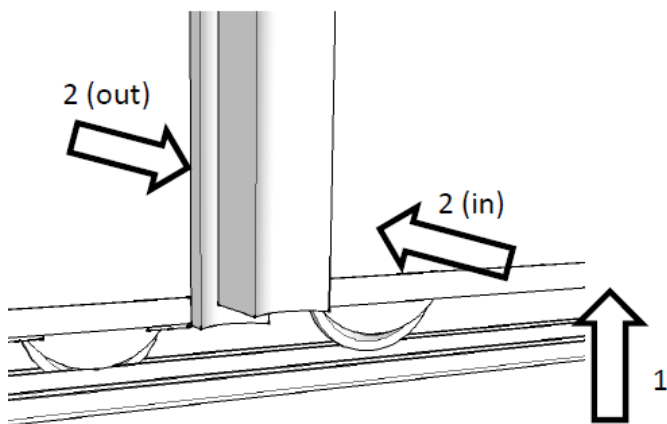
3.2 Freeing Jammed Sliding Doors

If a closet door has jammed and will not move, it is likely that one of the wheels has become “De railed” and left the bottom track. This is often caused by an obstruction.

The wheel has left the channel in which it is supposed to run on the bottom track.



The door requires re mounting onto the bottom track.

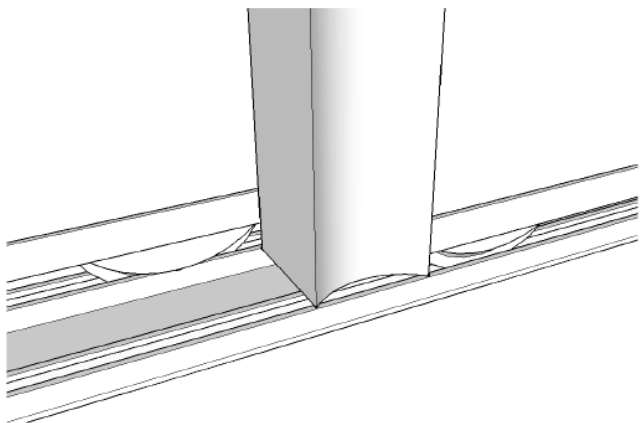


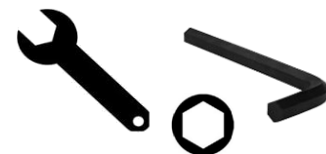
1. Lift the door slightly and,
2. Ease the door inwards or outwards until the wheel is in line with the running track channel.

When the wheel is in line lower the door until the wheel locates into the running track channel.

The door will now run correctly.

Make sure the track is clear of any obstruction.

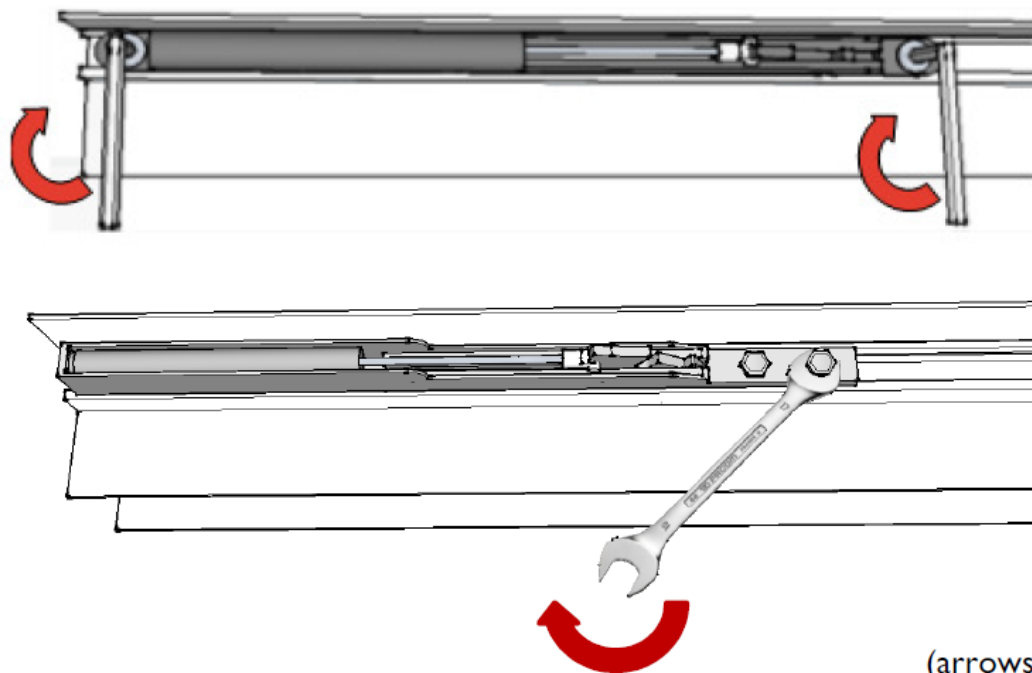




3.3 Adjusting a Closet Soft Close Mechanism

The Soft Close mechanisms will have been aligned during installation. However over time it may be necessary to re align them. The diagrams below indicate how the adjustment can be made.

2 types of closer are in use. One type which is adjusted by allen key (3mm) and another type which is adjusted using a small adjustable spanner.



(arrows show direction to tighten)

Door does not close against the frame upright(s)

If the closet door does not close against the upright, using a suitable allen key or spanner undo the 2 screws on the closing piston in the top track until it slides along its mounting channel.

Slide the piston **closer to** the upright, lock the screws and then re-try.

Repeat the above until the door closes properly

Make sure the screws are fully tightened.

Door bangs against the upright(s)

If the closet door does not close against the upright, using a suitable allen key or spanner undo the 2 screws on the closing piston in the top track until it slides along its mounting channel.

Slide the piston **away from** the upright, lock the screws and then re-try.

Repeat the above until the door closes properly

Make sure the screws are fully tightened.



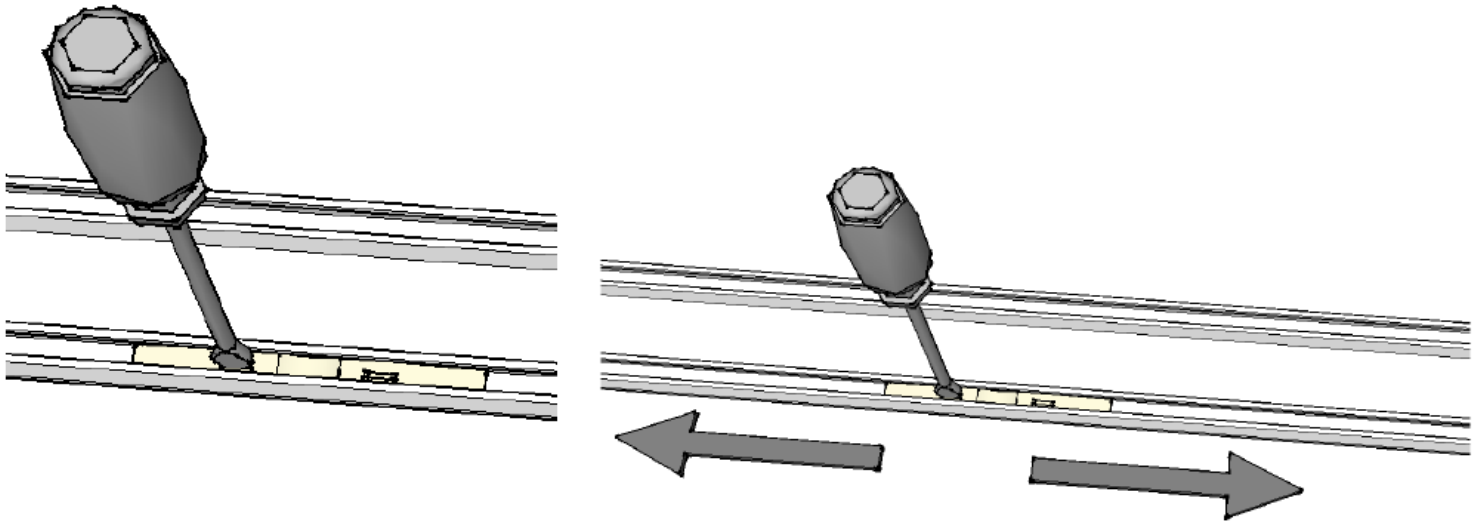
3.4 Adjusting Closet Bottom Track Stops

To position centre doors, stops are inserted into the bottom track. They are made from soft Plastic.

In order to maintain the “at rest” position of central doors these stops may , after a period of time require slight adjustment to their position.

Each centre door should have a stop under each wheel.

Adjustment.



Should adjustment be required, the stops can be moved by inserting a thin bladed screwdriver into a small slot in the stop and gently sliding it along the track. Some resistance will be felt when trying to slide the stop but applying a steady force will overcome it.

4.1 Cleaning

Taking Care of Your Hammonds Furniture

We produce furniture in both wood veneer and vinyl finishes. There are different considerations for each.

Vinyl Furniture

Looking after Vinyl finish furniture could not be more simple. To maintain the furniture's fine appearance, wipe over occasionally with a cloth dampened with a mild detergent solution and polish off with a soft, lint-free cloth.

Veneer Furniture

We use durable lacquers to finish and seal the real wood veneers that go into manufacturing this type of furniture. These surface finishes protect from liquids, staining and warm objects providing that spills are wiped up straight away with a damp cloth. Care should be taken not to directly apply excessive heat to the surface.

Handles and Glass

Metal handles are finished with a clear lacquer. Regular dusting with a soft cloth is the only maintenance needed. Do not use metal polishes or abrasives as these will remove the coating that has been applied and may result in a patchy or discoloured appearance.

When you are cleaning glass, use only a branded glass or mirror cleaner. A damp cloth with a small amount of detergent is also acceptable.

Avoid using harsh spirit cleaners as these can damage surface coatings.

4.2 Warranty

Warranty

We want you to be happy with your fitted furniture for many years to come. That's why we are happy to offer a 10 year warranty on our products. To qualify you must register your purchase with within 6 months of the purchase date.

Visit www.hepplewhitefittedfurniture.co.uk/warranty-registration to find out more.

4.3 If you wish to purchase additional items

Hepplewhite is a family owned company with over 80 years of experience in providing quality products. Hepplewhite furniture is supplied through our trusted network of independent retailers who will be able to help you purchase additional items.

You can find your nearest hepplewhite retailer by using the dealer locator on our website.

Visit www.hepplewhitefittedfurniture.co.uk/find-a-retailer

Don't forget, we also offer home office furniture !

Hepplewhite[®]
Fitted Bedrooms & Home Offices